

BSC series

Single needle, High speed, Narrow cylinder bed, Horizontal axis hook, Compound feed and walking foot, Reverse stitch, Lockstitch machines



BSC-8BL

Variety



BSC-8B

Standard hook.



BSC-8BL

Large hook.



BSC-8BV

Standard hook, synchronized binder.



BSC-8BLV

Large hook, synchronized binder.



BSC-8BLH

Large hook, horizontal feed.

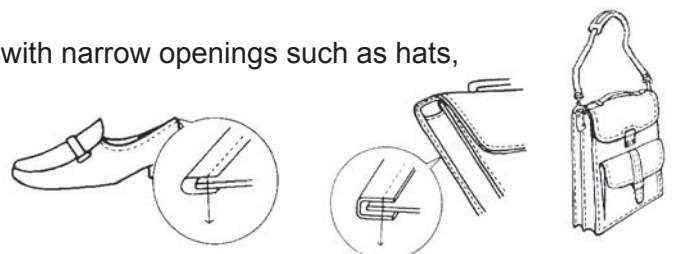


BSC-8BHC

Standard hook, horizontal feed, thread rimmer.

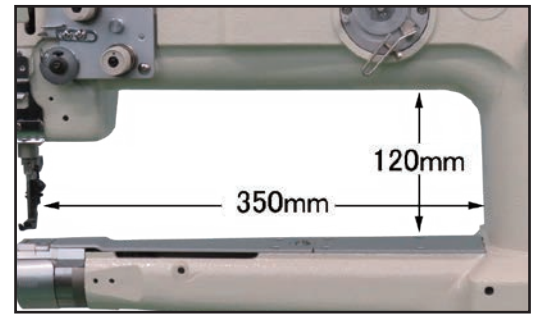
Applications

- For sewing medium to heavy weight fabrics, leather, vinyl, synthetics and laminated and coated materials.
- Suitable for tubular and curved products with narrow openings such as hats, caps, shoes, bags, handbags, etc.

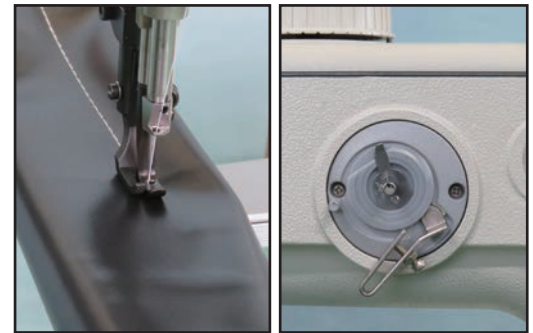


Features (BSC-□)

- Cylinder bed size.
1-13/16"(46mm) dia. for standard hook model(8B, 8BV, 8BHC).
1-31/32"(50mm) dia. for large hook model(8BL, 8BLV, 8BLH).
- Wide working space 3-25/32" x 4-23/32"(350mm x 120mm).
- Good Operability.
Presser foot lift amount 5/8"(16mm) (by knee).
Needle bar stroke 1-25/64"(35.4mm).
Alternating presser foot lift amount 3/64" - 1/4" (1mm - 6.5mm).
- Compound feed and walking foot mechanism assures certain feeding of slippy or uneven materials.
- Horizontal rotary hook, standard size or large size.
- Built-in Bobbin winder.
- Moving area is safely covered.
- Automatic lubrication system.
- Better maintainability with Thumb screw to adjust presser foot pressure.
- Synchronized binder models available (8BV, 8BLV).
- Option - Automatic Back-Tack (BT) and Foot-Lift (FL) available.
- Automatic thread trimmer model available (8BHC).



Wide working space



Built-in Bobbin winder

Specifications (BSC-□)

Variety	8B	8BL	8BV	8BLV	8BLH	8BHC
Number of needle	Single needle					
Max. sewing speed	2,300 s.p.m.			2,500 s.p.m.		
Max. stitch length	9/32" (7 mm)					15/64" (6 mm)
Clearance under presser foot	by knee		5/8" (16 mm)			
	by hand		23/64" (9 mm)			
Needle bar stroke	1-25/64" (35.4 mm)					
Needle(standard)	DPx17 (#18) 135x17 (#110)		DPx17 (#16) 135x17 (#100)			DPx17 (#18) 135x17 (#110)
Thread	#20 (standard)		#30 (standard)			#20 (standard)
Hook	Horizontal axis hook	Large horizontal axis hook(2.0times)	Horizontal axis hook	Large horizontal axis hook(2.0times)		Horizontal axis hook
Amount of lift of walking foot	3/64"-1/4" (1 - 6.5 mm)					
Thread take up lever	Slide type					
Lubrication	Automatic lubrication type					
Cylinder size	1-13/16" (46 mm) dia.	1-13/32" (50 mm) dia.	1-13/16" (46 mm) dia.	1-13/32" (50 mm) dia.		1-13/16" (46 mm) dia.
Working space	13-25/32"x 4-23/32" (350 x 120 mm)					
Motor	AC servo motor					
Net weight(Head only)	48 Kg					52 Kg
Feeding system	elliptical			horizontal		

NOTE: (1) Speed depends on threads, materials and type of operation
(2) Specifications subject to change without notice



SEIKO SEWING MACHINE CO., LTD.

2-13-6, Sakaecho, Funabashi-shi
Chiba Prefecture, 273-0018, Japan

Phone : +81-47-420-3561 (Overseas dept.)

Fax : +81-47-420-3560

E-mail : export@seiko-sewing.co.jp

Printed in Japan 2019.2

<http://www.seiko-sewing.co.jp/>